

rotork®

MIDLAND

The IMPACT is a high integrity modular pneumatic actuator control assembly in 316L stainless steel, used for the control and sequencing of process valve actuators on oil and gas platforms/pipelines.

Whether it be a standard shut off circuit or an intricate control system, IMPACT can be tailored to meet the requirements of your project.

Best Design

Lighter, stronger and more compact than panel mounting, IMPACT, offers a significant reduction in total installed cost in both OPEX and CAPEX over panel mounted assemblies.

Lower Cost

Smaller footprint, compact and lightweight, the modular system does away with complex arrangements using panels, pipes and additional fittings.

Greater Configuration Range

Using a range of field proven components, valves (spool, poppet or direct acting) and filter regulators are connected in series using a universally compatible interface block and mounted directly onto the valve actuator.

Easier Installation

Each unit is supplied assembled and tested, ready to fit and operate. No design work is required from the contractor and all components are kept in stock, resulting in very short lead times. IMPACT components are ideal for both hazardous areas and industrial use, with ATEX approval. Units will interface with all global pneumatic actuators.

Market Leader

Rotork Midland has over 50 years of experience in the manufacturing of stainless steel and pneumatic components. This wealth of experience has resulted in a range of field proven specialist products renowned for their performance and reliability.

- Lower cost
- Lighter and compact
- Best in class flow characteristics
- Market leader
- Universal interface block
- Easier installation
- Greater configuration range
- Higher integrity from static o-ring seals
- No pipes and fittings
- Simple auxilliary removal - tanks, gauges etc.

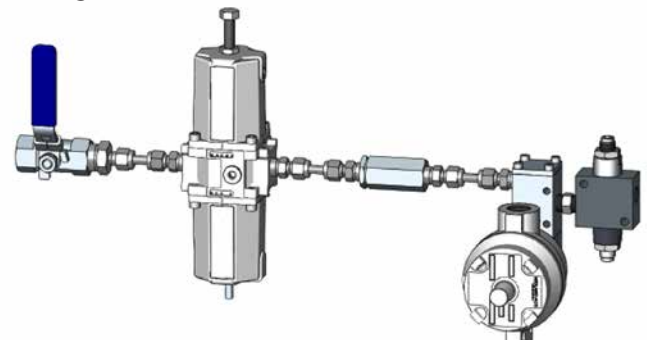


I International
M Modular
P Pneumatic
A Actuator
C Control
T Technology

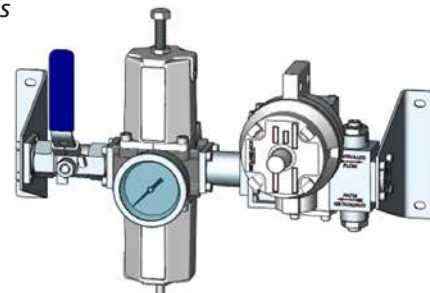
IMPACT Manifold

Modular Pneumatic Actuator Control Assembly

Change this...



...for this



Keeping the World Flowing

A full listing of the Rotork sales and service network is available on our website.

www.rotork.com

Rotork Midland Ltd.
Patrick Gregory Road
Wolverhampton
WV11 3DZ
UK

tel +44 (0)1902 305 678
fax +44 (0)1902 305 676
email sales.midland@rotork.com

Controls

Electric Actuators and Control Systems

Fluid Systems

Fluid Power Actuators and Control Systems

Gears

Gearboxes and Gear Operators

Instruments

Precision Control and Indication

Site Services

Projects, Services and Retrofit